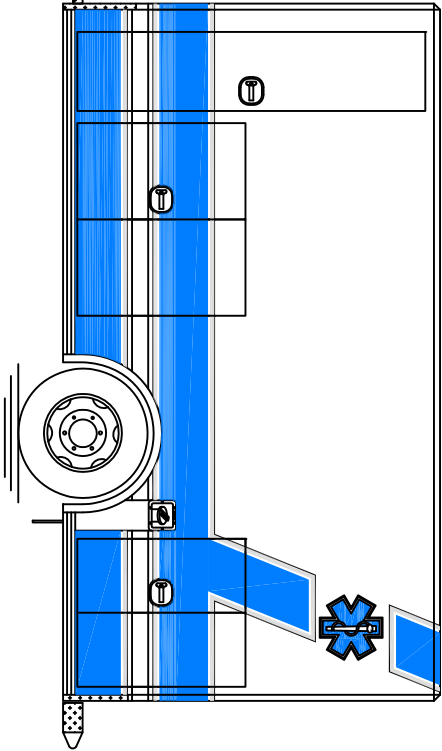
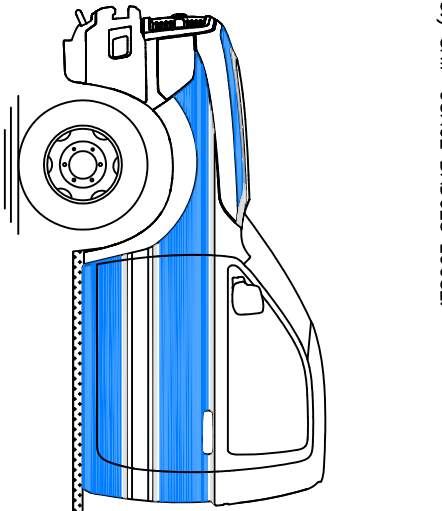
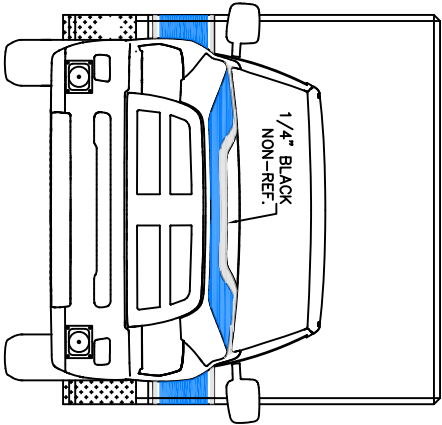
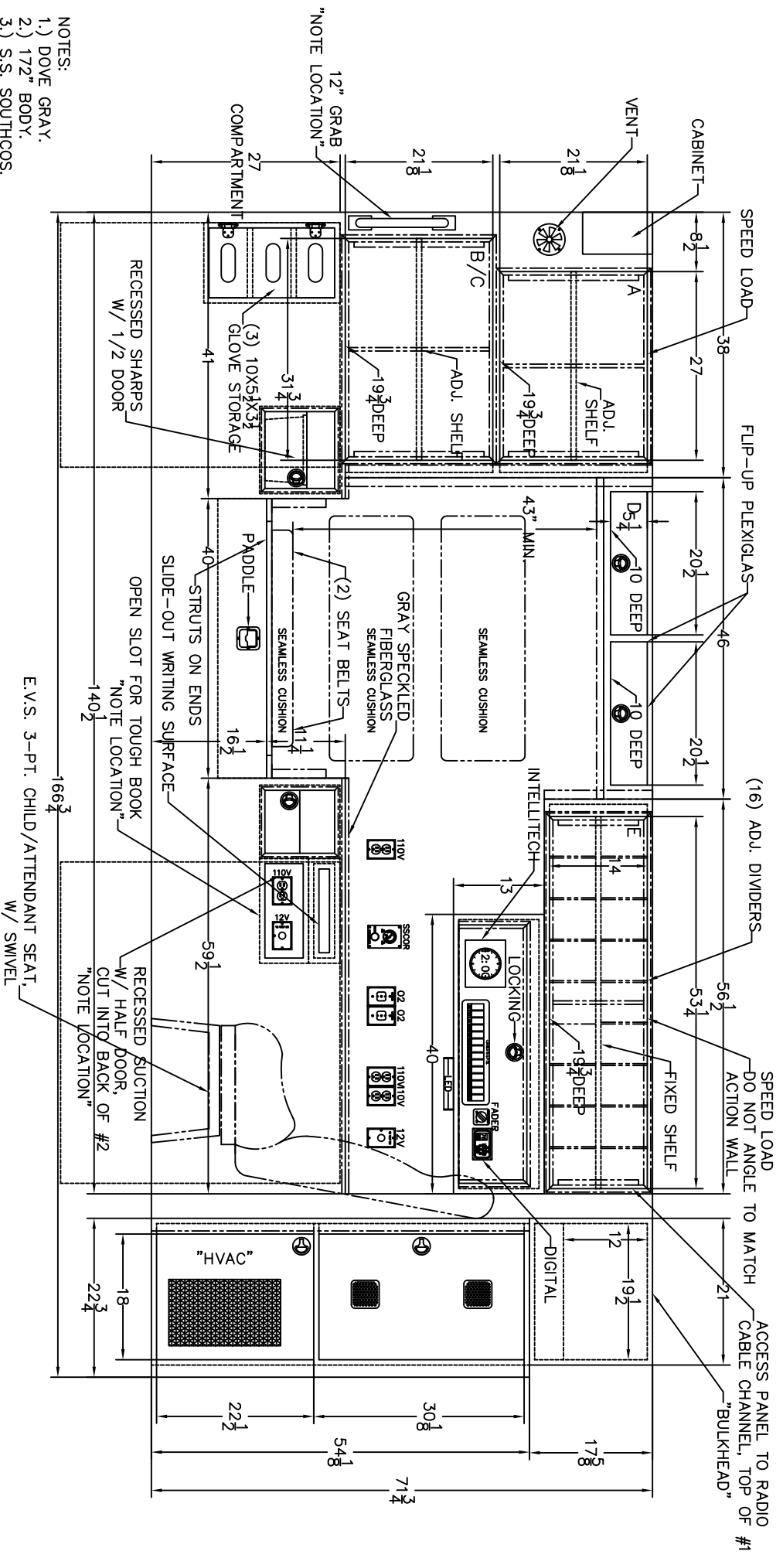


- NOTES:
- 1) BLUE PPG *941761*
 - 2) SILVER PPG *941760*
 - 3) SHIP OSAGE BADGES LOOSE.



Stock/Job#:	J2181	Drawing#	J2181-100P	Cust. App'v/Date#		Deal'r App'v/Date:	
Osage Dealer:	VEST	End Customer:	PATRICK SPRINGS, VA	<p>Osage Industries, Inc. TWINRIDGE ROAD P.O. BOX 718 LINN, MO. 65051</p>			
<p>NOTICE</p> <p>This drawing and/or the information hereon is the exclusive property of Osage Industries and shall not be reproduced, used or disclosed without the authorized written consent of Osage Industries.</p>							
Revision #	Revision Description	Date	Rev'd App'vd	<p>Drawing Description:</p> <p>EXTERIOR LAYOUT, PAINT TYPE-I SUPER-WARRIOR</p>			
3				<p>Scale: NOT TO SCALE</p>			
2	REVISION DRAFT	08-12-15	SAH	<p>Revision #</p>			
1	PRODUCTION DRAFT	02-17-15	SAH	<p>1</p>			

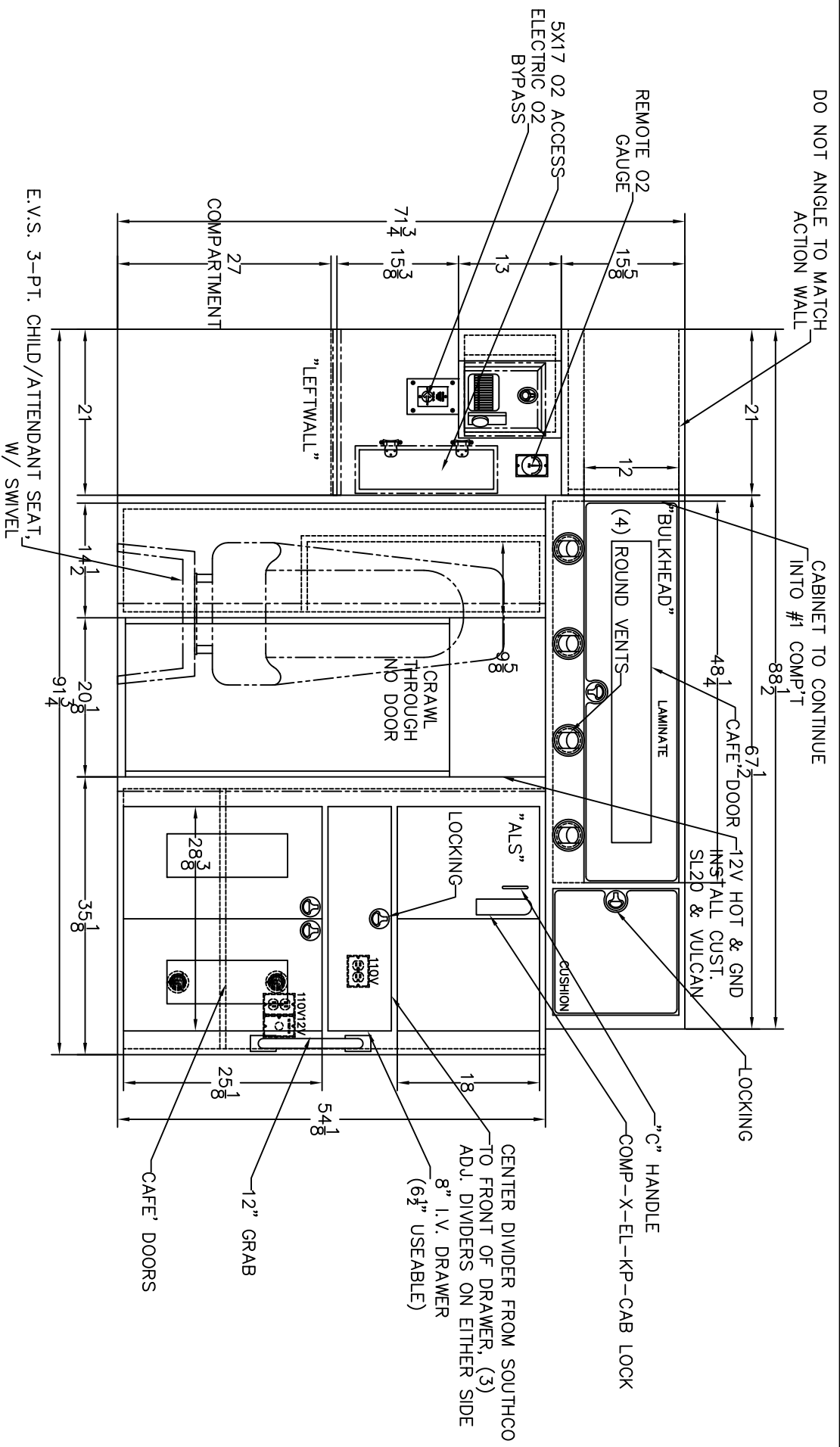


- NOTES:
- 1.) DOVE GRAY.
 - 2.) 172" BODY.
 - 3.) S.S. SOUTHCOS.
 - 4.) FOOTMANS LOOP W/ HOLE IN HANDLE FOR RE-STOCKING SEAL IN ALL CABINETS

NOTES: THIS DRAWING IS NOT TO SCALE.
 CHARACTERISTICS AND DIMENSIONS OF FINISHED PRODUCT MAY VARY.

NOTES: CABINET DEPTHS REPRESENT DIMENSION FROM INSIDE REAR TO FRONT FACE OF CABINETS, WITHOUT TRIM. ACTUAL WORKING DEPTH WILL BE LESS THAN DIMENSION SHOWN UNLESS OTHERWISE SPECIFIED.

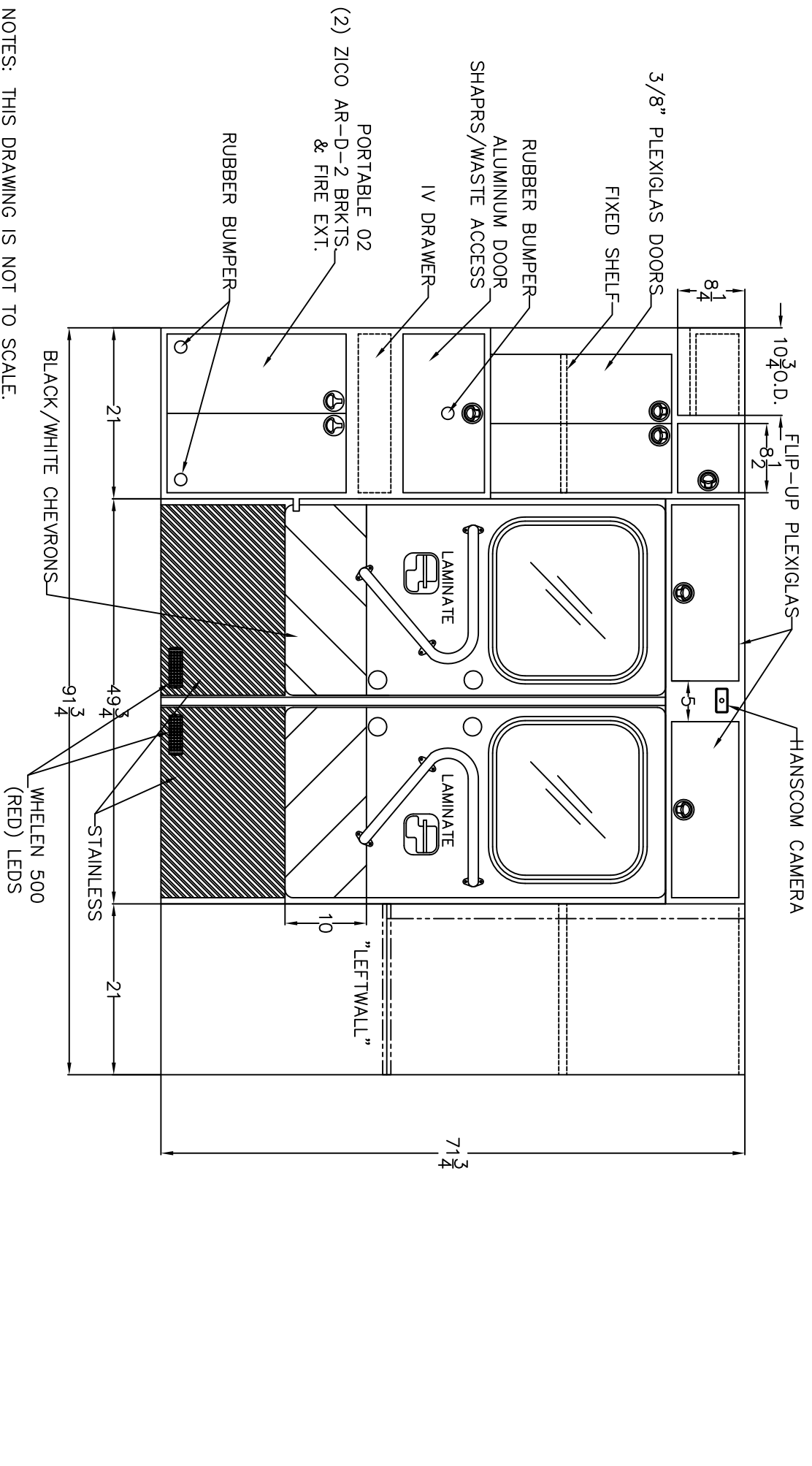
3									
2	REVISION DRAFT	08-13-15	SAH						
1	PRODUCTION DRAFT	02-17-15	SAH						
Rev.#	Revision Description	Date	Rev'd	App'vd					
Stock/Job#: J2181 Osage Dealer: WEST End Customer: PATRICK SPRINGS, VA NOTICE This drawing and/or the information hereon is the exclusive property of Osage Industries and shall not be reproduced, used or disclosed without the authorized written consent of Osage Industries.					Drawing# J2181-101 Cust. App'v/Date# Drawn By: S.A.H. Date: 02-17-15 Scale: NOT TO SCALE Revision# 1				
Osage Industries, Inc. TWINRIDGE ROAD P.O. BOX 718 LINN, MO. 65051					Drawing Description: STREETSIDE INTERIOR TYPE-1 SUPER-WARRIOR				



NOTES: THIS DRAWING IS NOT TO SCALE.
 CHARACTERISTICS AND DIMENSIONS OF FINISHED PRODUCT MAY VARY.
 NOTES: CABINET DEPTHS REPRESENT DIMENSION FROM INSIDE REAR TO FRONT FACE OF CABINETS, WITHOUT TRIM. ACTUAL WORKING DEPTH WILL BE LESS THAN DIMENSION SHOWN UNLESS OTHERWISE SPECIFIED.

3		
2	REVISION DRAFT	08-13-15 SAH
1	PRODUCTION DRAFT	02-17-15 SAH
Rev.#	Revision Description	Date

Stock/Job#	J2181	Drawing#	J2181-102	Cust. App'v/Date#		Decl'r App'v/Date:	
Osage Dealer:	WEST						
End Customer:	PATRICK SPRINGS, VA	Drawn By:	S.A.H.	Date:	02-17-15	Scale:	NOT TO SCALE
Osage Industries, Inc.							
TWIN RIDGE ROAD P.O. BOX 718 LINN, MO. 65051							
NOTICE							
This drawing and/or the information hereon is the exclusive property of Osage Industries and shall not be reproduced, used or disclosed without the authorized written consent of Osage Industries.							
FORWARD INTERIOR TYPE-I SUPER-WARRIOR							
							Revision#
							1

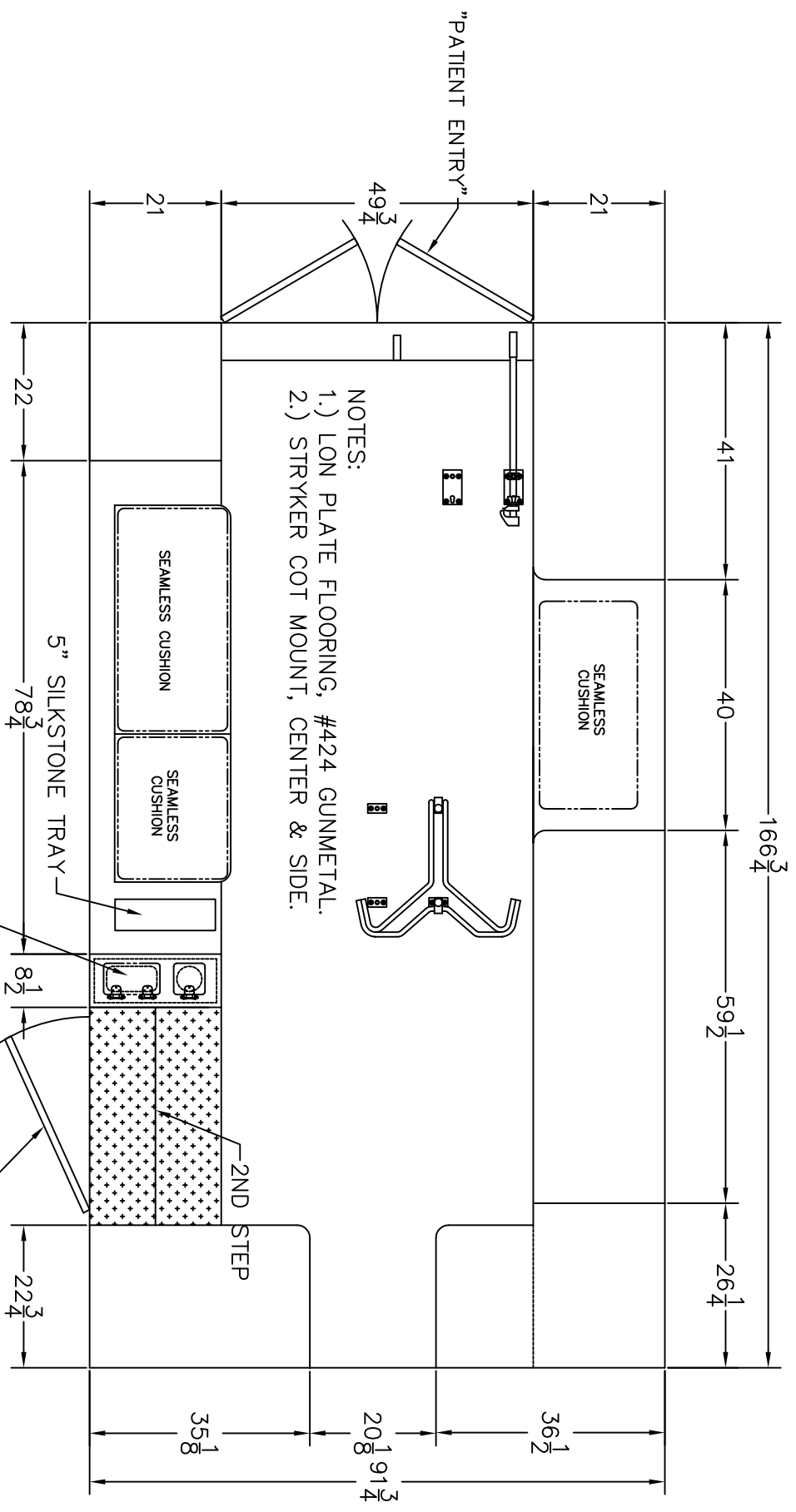


NOTES: THIS DRAWING IS NOT TO SCALE.
 CHARACTERISTICS AND DIMENSIONS OF FINISHED PRODUCT MAY VARY.
 NOTES: CABINET DEPTHS REPRESENT DIMENSION FROM INSIDE REAR TO FRONT FACE OF CABINETS, WITHOUT TRIM. ACTUAL WORKING DEPTH WILL BE LESS THAN DIMENSION SHOWN UNLESS OTHERWISE SPECIFIED.

3			
2	REVISION DRAFT	08-13-15	SAH
1	PRODUCTION DRAFT	02-17-15	SAH
Rev.#	Revision Description	Date	Rev'd App'vd

Stock/Job#:	J2181	Drawing#	J2181-104	Cust. App'v/Date#		Deal'r App'v/Date:	
Osage Dealer:	VESTI	Drawn By:	S.A.H.	Date:	02-17-15	Scale:	NOT TO SCALE
End Customer:	PATRICK SPRINGS, VA	Osage Industries, Inc. TWINRIDGE ROAD P.O. BOX 718 LINN, MO. 65051		REARWARD INTERIOR TYPE-1 SUPER-WARRIOR		Revision # 1	
NOTICE This drawing and/or the information hereon is the exclusive property of Osage Industries and shall not be reproduced, used or disclosed without the authorized written consent of Osage Industries.							

FLIP-UP PLEXIGLAS LIDS TO SHARPS & WASTE STANDARD SHARPS, MAKE ALUMINUM TRASH TO FILL REST OF SPACE



NOTES:
 1.) LON PLATE FLOORING, #424 GUNMETAL.
 2.) STRYKER COT MOUNT, CENTER & SIDE.

NOTES: THIS DRAWING IS NOT TO SCALE.
 CHARACTERISTICS AND DIMENSIONS OF FINISHED PRODUCT MAY VARY.

3									
2	REVISION DRAFT	08-12-15	SAH						
1	PRODUCTION DRAFT	02-17-15	SAH						
Rev.#	Revision Description	Date	Rev'd	App'vd					
Stock/Job#: J2181 Osage Dealer: VEST End Customer: PATRICK SPRINGS, VA					Drawing#: J2181-106 Cust. App'v/Date#: Dealer App'v/Date:				
NOTICE This drawing and/or the information hereon is the exclusive property of Osage Industries and shall not be reproduced, used or disclosed without the authorized written consent of Osage Industries.					Drawn By: S.A.H. Date: 02-17-15 Scale: NOT TO SCALE				
Osage Industries, Inc. TWIN RIDGE ROAD P.O. BOX 718 LINN, MO. 65051					FLOOR LAYOUT TYPE-I SUPER-WARRIOR				
					Revision# 1				